

TECHNICAL SPECIFICATION

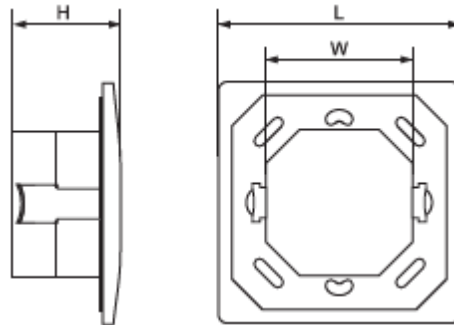
PIR Motion Sensor ST02A



Technical data

- Nominal voltage: 230V / 50Hz
- Detection range: 160°
- Detection Distance: max.9m
- Nominal load: IL - 500W / ESL - 200W
- Colour of the housing: white
- Time Delay: from 10sec to 7min – adjustable
- Ambient light: <math><3 \div 2000\text{lux}</math> – adjustable
- Two wire line
- Installation height: from 1m \div 1.80m
- Detection motion speed: 0,6-1,5m/s
- Protection against dust and moisture: IP20
- Surface requirements: Class F

Variants and dimensions



Type	Detection range	Rated load	Detection distance	Colour body	Size (mm)			Catalogue number	Packing (pcs)
					L	W	H		
ST02A	160°	ESL-200W IL-500W	max.9m	white	80	48.5	24.7	99DS100	100

Barcodes

Barcode	Catalogue number
3800131177155	99DS100

Standards

EN 55015

EN 61000-3-2; EN 61000-3-3

61547

EN 60669-1

EN 60669-2-1

